

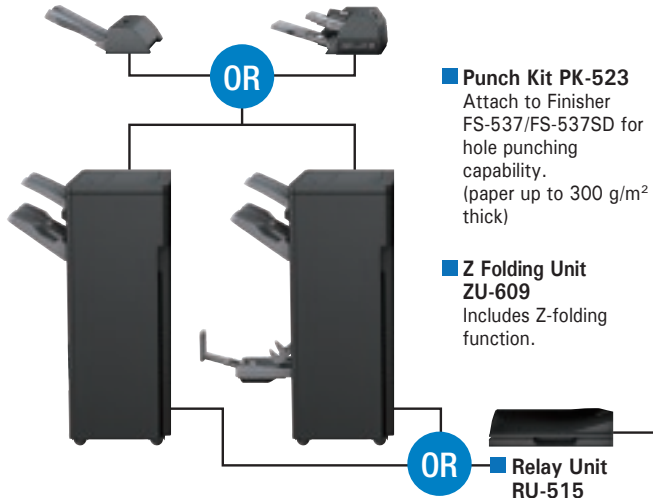
Job Separator JS-602 *1

When attached to the FS-537/FS-537SD, this becomes the fax/print/copy output separator tray.

Post Inserter PI-507 *1

When attached to Finisher FS-537/FS-537SD, allows you to add white paper cover sheet/inter sheet, and operate the Finisher manually.

*1 PI-507 and JS-602 cannot be installed at the same time.



Punch Kit PK-523

Attach to Finisher FS-537/FS-537SD for hole punching capability. (paper up to 300 g/m² thick)

Z Folding Unit ZU-609

Includes Z-folding function.

Relay Unit RU-515

Finisher FS-537

A high-performance finisher that allows you to multi-staple up to 100 sheets.

Finisher FS-537SD

A high-performance finisher that allows you to multi-staple, saddle stitching, half folding and tri-folding.

Staple Kit MS-10A

* for FS-537/FS-537SD

Staple Kit SK-602

* for FS-536/FS-536SD/FS-537SD

Output Tray OT-508



Relay Unit RU-515

Punch Kit PK-520

Attach to Finishers FS-536/FS-536SD for hole punching capability (paper up to 300 g/m² thick)

Finisher FS-536

A small, low-noise and high-performance finisher that allows you to multi-staple up to 50 sheets.

Finisher FS-536SD

A small, low-noise and high-performance finisher that allows you to multi-staple, saddle stitching, half folding and tri-folding.

Upgrade kit UK-212
Wireless LAN kit

Keypad KP-101

Keyboard Holder KH-102

Security Kit SC-508

* Two SC-508 are required.

Fax Kit FK-516

For 1st / 2nd line

Stamp Unit SP-501

Hard Disk HD-524

For Mirroring

Double Feed Detection Kit UK-501

For ADF

Working Table WT-513

For Upright Panel

Working Table WT-506

Authentication Unit AU-102

Biometric type

* WT-506 or WT-513 is required.

Authentication Unit AU-201S

IC card type

* WT-506 or MK-735 is required. However, AU-102 cannot be combined when equipped with WT-506.

Mount Kit MK-735

For IC card authentication installation
Built into front panel

Banner Paper Setting Guide MK-715

Used for banner printing.

Large Capacity Unit LU-205

Increases the bizhub's paper capacity by 2,500 sheets for paper up to SRA3 and 80 g/m² thick.

Large Capacity Unit LU-303

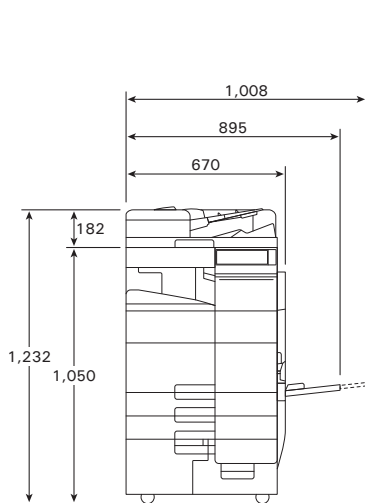
Increases the bizhub's paper capacity by 3,000 sheets for paper up to A4 size and 80 g/m² thick.

Note: Some options are not listed.

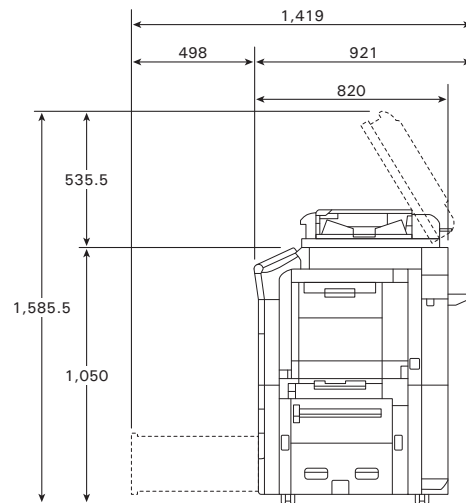
OR One of the options may be selected (not mandatory).

✓ One of the options must be selected (mandatory).

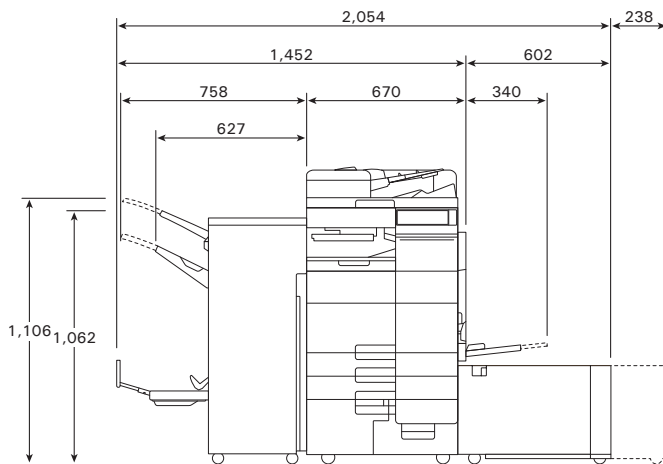
SPACE REQUIREMENTS - bizhub 958 / 758



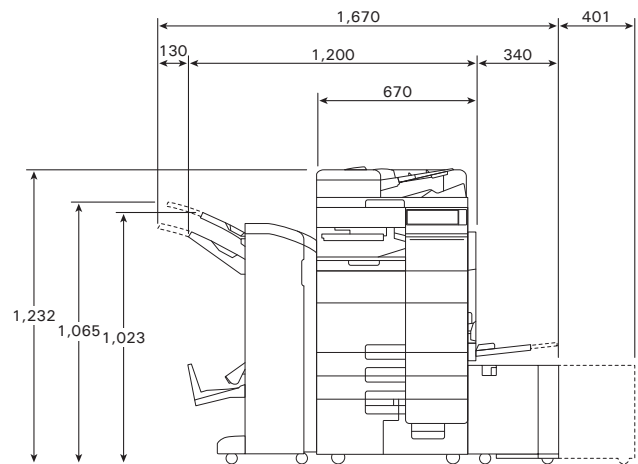
Front View
bizhub 958/758 + OT-508



Side View
bizhub 958/758 + OT-508



Front View
bizhub 958/758 + RU-515 + FS-537SD + LU-205



Front View
bizhub 958/758 + RU-515 + FS-536SD + LU-303

i-Option - bizhub 958 / 758

Model	Function	Note
i-Option LK-102 v3	Encrypted PDF or PDF/A (1a/1b)	
i-Option LK-104 v3	Voice guidance*1	
i-Option LK-105 v4	Searchable PDF	
i-Option LK-106	Barcode font (Code39, QR Code, PDF417)	
i-Option LK-107	Unicode font	
i-Option LK-108	OCR font (OCR-A, OCR-B (PCL))	
i-Option LK-110 v2	File format extension package	
i-Option LK-111	ThinPrint function	
i-Option LK-114	Server-less Pull Printing function	
i-Option LK-115 v2	TPM function	Not available in China.

*1 Local Interface Kit EK-610 or EK-611 is required.